



Page 264
Professional Screw Clamp



Page 266
Professional Screw Clamp XL



Page 268
Professional Screw Clamp 45°/90°



Page 270
Professional Fast Tension Clamp



Page 272
Vertical Round Pipe + Cast Iron Cross



Page 274
Professional Screw Clamp with vertical action toggle



Page 274
Professional Screw Clamp 45°/90° with vertical action toggle



Page 275
Fast Tension Clamp, Standard



Page 276
Pipe Clamp Universal



Page 278
Basic Pipe Clamp 90°



Page 280
Basic Pipe Clamp 180°



Page 282
Adapter 45° for Screw Clamp 280610



Page 283
Thread Bushing



Page 284
Prism for Screw Clamps



Page 284
Prism for Screw Clamps



Page 284
Prism for Screw Clamps



Page 284
Pressure Ball Blank for Screw Clamps



Page 286
Duo Prism Ø 40



Page 286
Duo Prism Ø 40



Page 286
Duo Prism Ø 40



Page 287
Pressure Ball for Screw Clamps



Page 287
Pressure Ball for Screw Clamps



Page 287
Pressure Ball for Screw Clamps



Page 288
Angle Bushing 45° for clamping pipe



Page 288
Angle Bushing 90° for clamping pipe



Page 288
Angle Socket 45° for clamping pipe



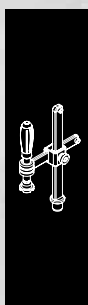
Page 288
Angle Socket 90° for clamping pipe



Page 289
Clamping Bridge 2P for Screw Clamps



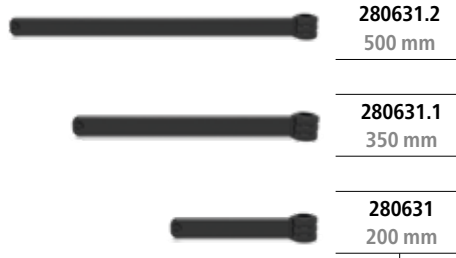
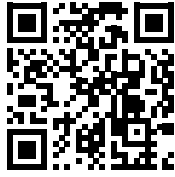
Page 289
Clamping Bridge 3P for Screw Clamps



Clamps & Accessories

You can also find the product video on:

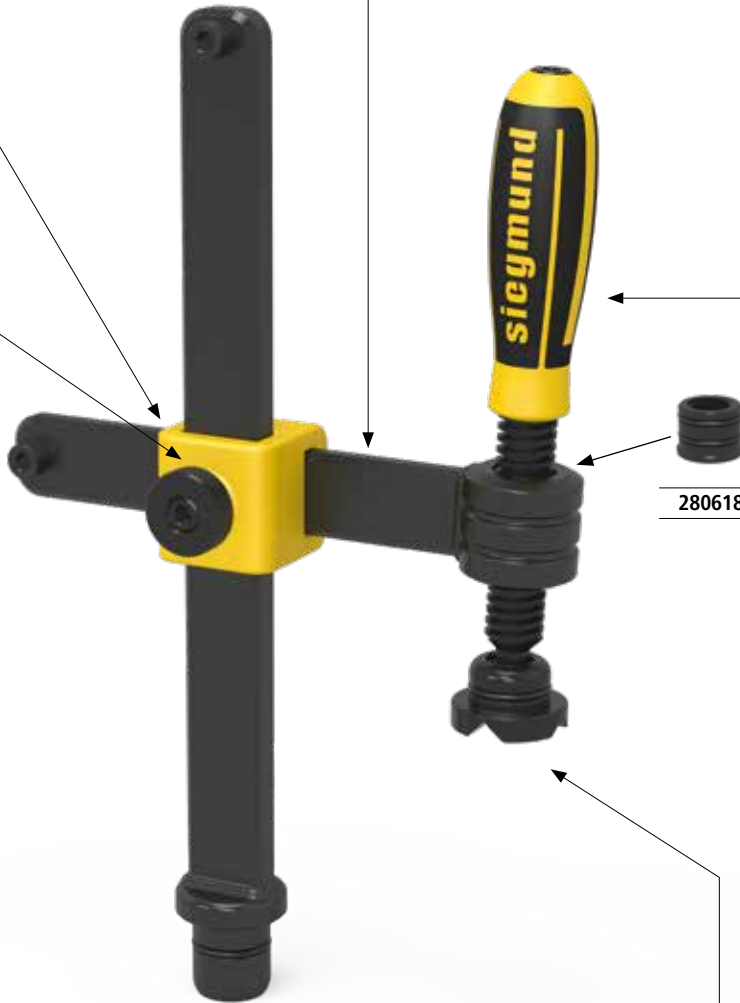
www.siegmund.com/V280610



280617



280662



280618



280636.2 170 mm, 280636.1 135 mm, 280636 100 mm



280635.2 170 mm, 280635.1 135 mm, 280635 83 mm



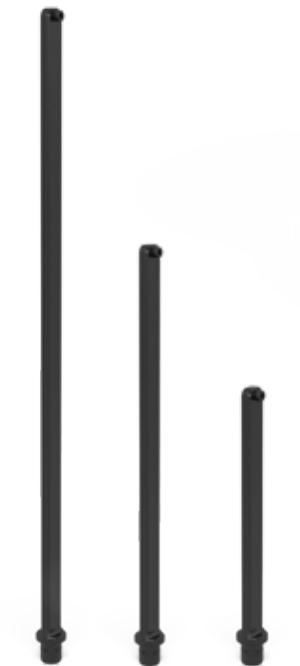
Ø 35
 280660 Burnished / nitrided, 280660.E Stainless Steel, 280660.PA Polyamide



Ø 40
 280650 Burnished / nitrided, 280650.A Aluminum, 280650.PA Polyamide



Ø 40
 280657.1.N nitrided, 280658.E Stainless Steel, 280659.PA Polyamide



280632.2 800 mm, 280632.1 500 mm, 280632 310 mm





280634.2	280634.1	280634
170 mm	135 mm	100 mm



280636.2	280636.1	280636
170 mm	135 mm	100 mm



280635.2	280635.1	280635
170 mm	135 mm	83 mm



Ø 35	280660	280660.E	280660.PA
	Burnished / nitrided	Stainless Steel	Polyamide

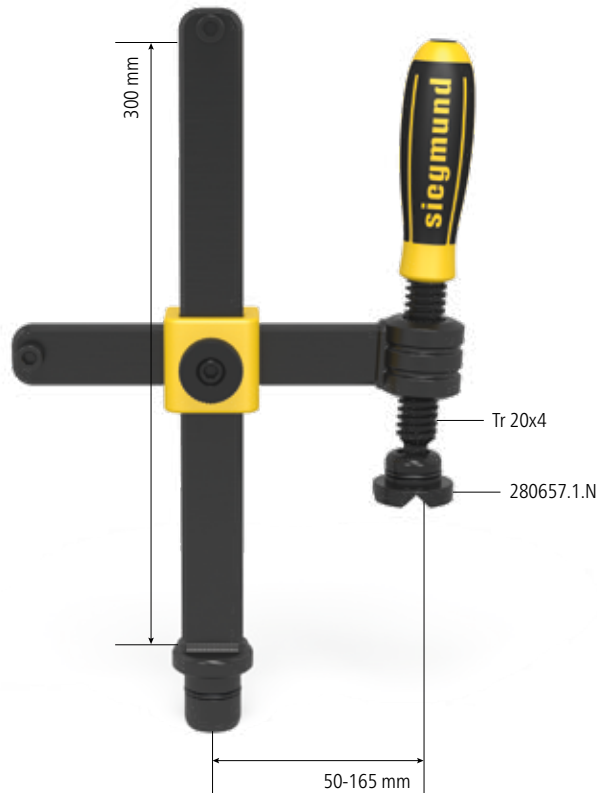


Ø 40	280650	280650.A	280650.PA
	Burnished / nitrided	Aluminum	Polyamide



Ø 40	280657.1.N	280658.E	280659.PA
	nitrided	Stainless Steel	Polyamide

Professional Screw Clamp



Description:

Professional Screw Clamp, enables fast, powerful and exact clamping with a variety of welding elements. Achieve maximum efficiency through time-saving, quick adjustments and effortless disassembly. For individual modification, we offer special lengths of horizontal and vertical bars. The dimensions of the horizontal bar are 30x10 mm. The dimensions of the vertical bar are 30x14 mm. Additionally, the vertical bar is reinforced.

To safely fasten every kind of welding element, the prisms are interchangeable. For suitable prisms, see page 284.

A long lifetime and efficiency is guaranteed by the nitrided material, as well as the option to order spare parts individually.

With the new handwheel on the cast iron cross, the height can be adjusted within seconds. Due to the hexagonal Allen insert, located at the top of the handle, the force of the clamp can be adjusted precisely by a torque-limiting wrench.



280610.N

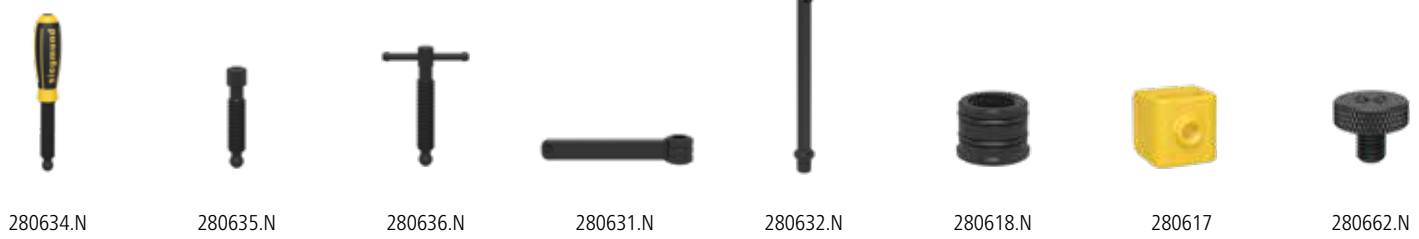


280610.S

Standard model		maximum load:	Weight:	Item No.
Professional Screw Clamp		5 kN	2,70 kg	2-280610.N ●
Professional Screw Clamp special size				2-280610.S ○

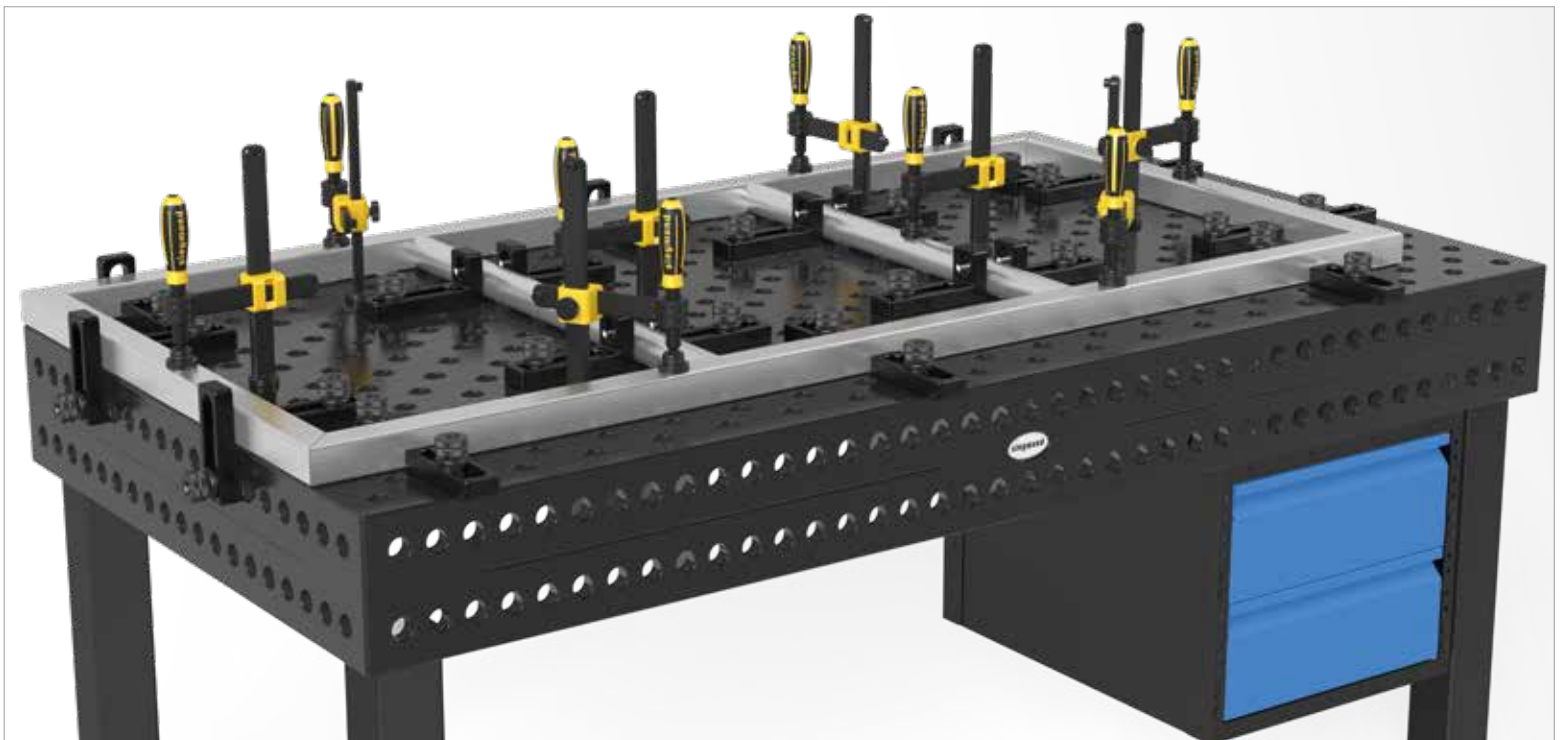
● = Item produced for stock; ○ = Item produced on order; Explanations see page 84

Standard model 280610:
consisting of 1x 280634.N, 1x 280631.N, 1x 280632.N, 1x 280618.N, 1x 280617, 1x 280662.N, 1x 280657.1.N

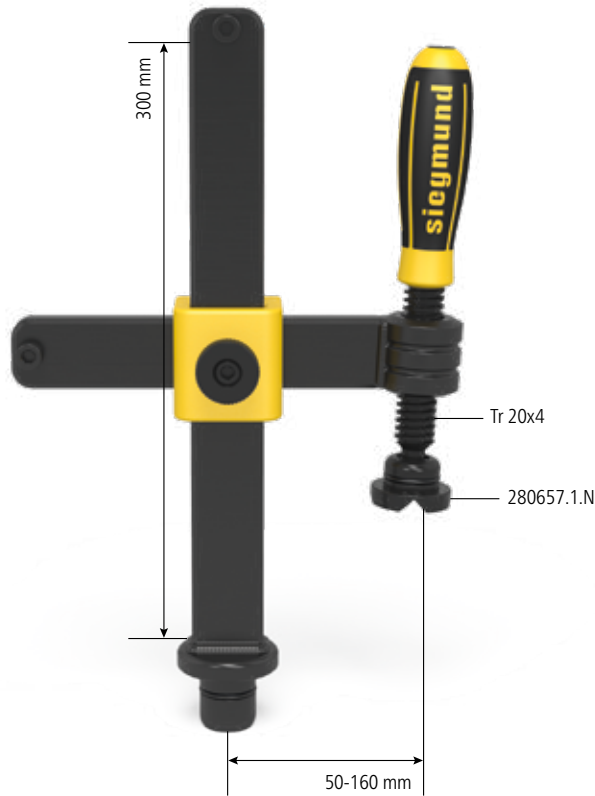


Spare parts, special sizes and parts for a individual configuration				
Threaded Arbor with handle - for 280610, 280612, 280630, 280604, 280625, 280608 - Trapezoid thread 20 x 4 mm	100 mm 2-280634.N	135 mm 2-280634.1.N	170 mm 2-280634.2.N	special size 2-280634.S
Threaded Arbor with hexagon - for 280610, 280612, 280630, 280604, 280625, 280608 - Trapezoid thread 20 x 4 mm	83 mm 2-280635.N	135 mm 2-280635.1.N	170 mm 2-280635.2.N	special size 2-280635.S
Threaded Arbor with toggle - for 280610, 280612, 280630, 280604, 280625, 280608 - Trapezoid thread 20 x 4 mm	100 mm 2-280636.N	135 mm 2-280636.1.N	170 mm 2-280636.2.N	special size 2-280636.S
Horizontal Bar - for 280610, 280611 - without Bushing 280618, please order separately	200 mm 2-280631.N	350 mm 2-280631.1.N	500 mm 2-280631.2.N	special size 2-280631.S
Vertical Bar - for 280610, 280612, 280611 - Vertical Bar reinforced	310 mm 2-280632.N	500 mm 2-280632.1.N	800 mm 2-280632.2.N	special size 2-280632.S
Thread Bushing - Acme trapezoidal thread 20 x 4 mm for system 28 screw clamp arbor - for 280610, 280612, 280625 - nitrided				2-280618.N
Cast Iron Cross - for 280610, 280611, 280615, 220610.1, 220615.1 - without handwheel				45 mm 2-280617
Handwheel for Cast Iron Cross - for 280610, 280612, 280630, 280615, 280611, 220610.1, 220630.1, 220615.1				25 mm 2-280662.N

● = Item produced for stock; ○ = Item produced on order; Explanations see page 84



Professional Screw Clamp XL



Description:

The Professional Screw Clamp XL was especially designed for tasks that require special effort.

In order to safely fasten all kinds of welding elements with the screw clamp, the prism is interchangeable. For suitable prisms see page 284.

The horizontal and vertical bar is available in various lengths. The dimensions of the flat bar in use are 35x14 mm.

A long lifetime and efficiency is guaranteed by the material, as well as the option to order spare parts individually.

With the new handwheel on the cast iron cross, the height can be adjusted quickly. Due to the countersunk hexagonal Allen Wrench, located at the top of the handle, the force of the clamp can be adjusted precisely by a torque wrench.



280612

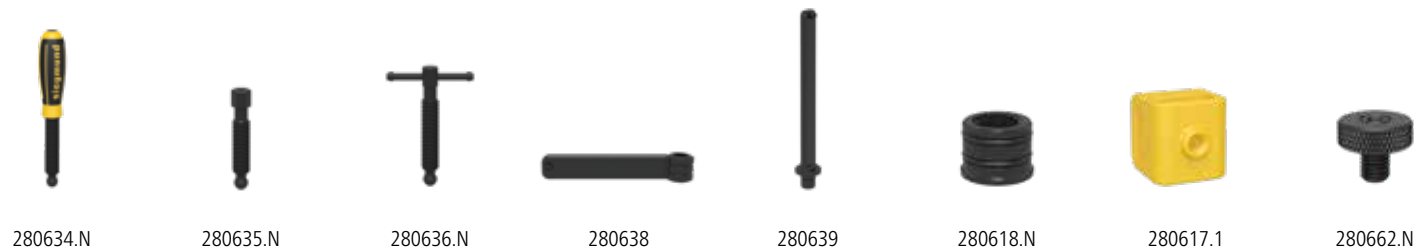


280612.S

Standard model	maximum load:	Weight:	Item No.
Professional Screw Clamp XL	7 kN	3,40 kg	2-280612 ●
Professional Screw Clamp XL special size			2-280612.S ○

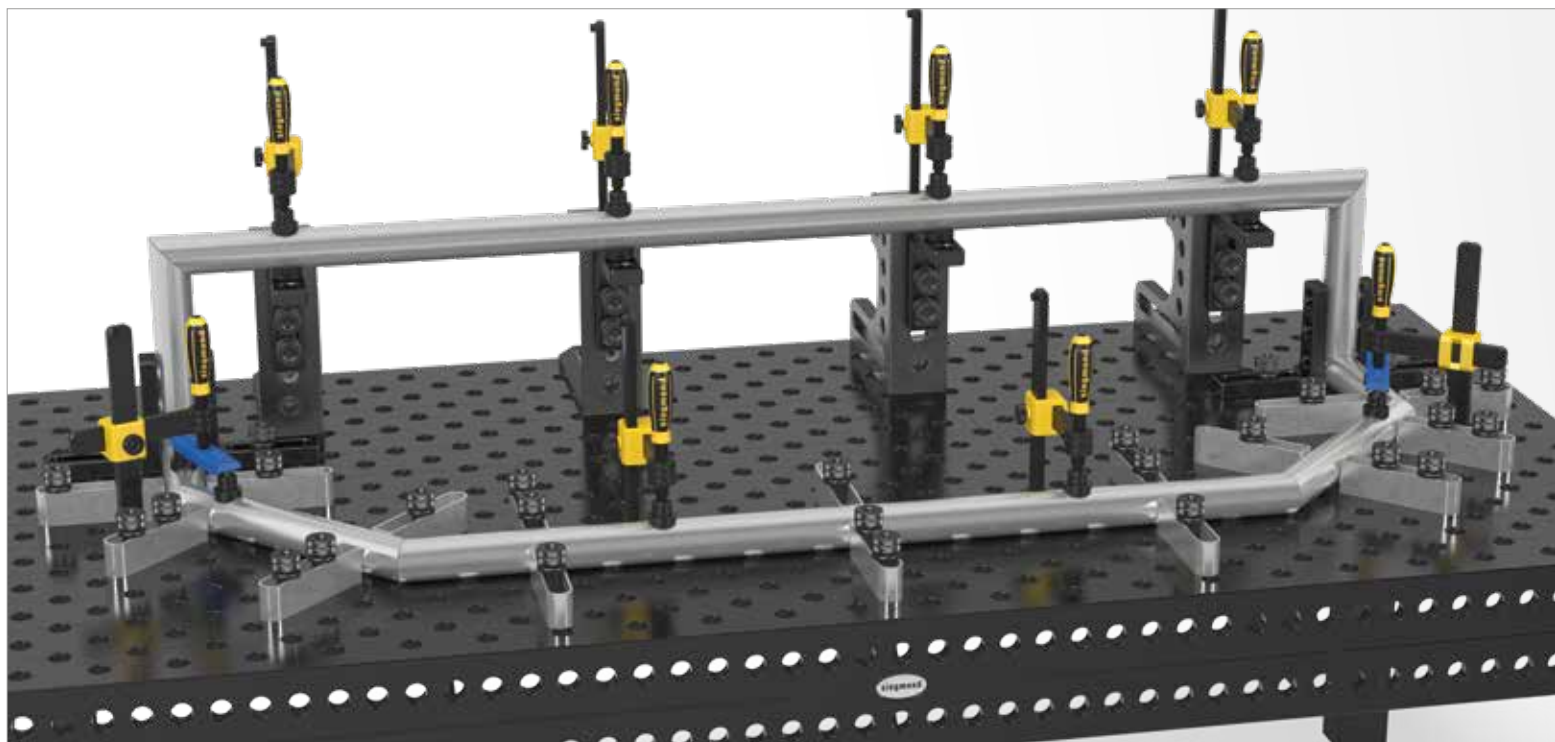
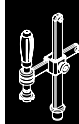
● = Item produced for stock; ○ = Item produced on order; Explanations see page 84

Standard model 280612:
consisting of 1x 280634.N, 1x 280638, 1x 280639, 1x 280618.N, 1x 280617.1, 1x 280662.N, 1x 280657.1.N

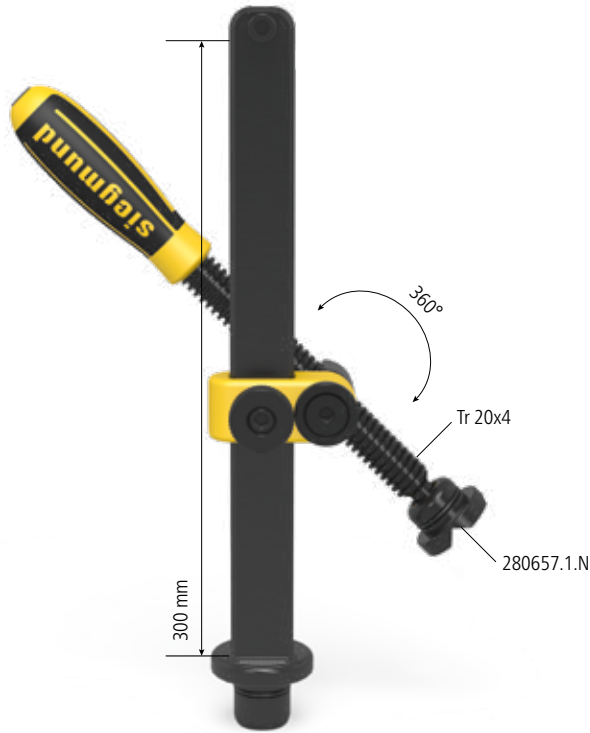


Spare parts, special sizes and parts for a individual configuration				
Threaded Arbor with handle - for 280610, 280612, 280630, 280604, 280625, 280608 - Trapezoid thread 20 x 4 mm	100 mm 2-280634.N ●	135 mm 2-280634.1.N ●	170 mm 2-280634.2.N ●	special size 2-280634.S ○
Threaded Arbor with hexagon - for 280610, 280612, 280630, 280604, 280625, 280608 - Trapezoid thread 20 x 4 mm	83 mm 2-280635.N ●	135 mm 2-280635.1.N ●	170 mm 2-280635.2.N ●	special size 2-280635.S ○
Threaded Arbor with toggle - for 280610, 280612, 280630, 280604, 280625, 280608 - Trapezoid thread 20 x 4 mm	100 mm 2-280636.N ●	135 mm 2-280636.1.N ●	170 mm 2-280636.2.N ●	special size 2-280636.S ○
Horizontal Bar - for 280612 - without Bushing 280618, please order separately	200 mm 2-280638 ●	350 mm 2-280638.1 ●	500 mm 2-280638.2 ●	special size 2-280638.S ○
Vertical Bar - for 280612 - Vertical Bar reinforced	310 mm 2-280639 ●	500 mm 2-280639.1 ●	800 mm 2-280639.2 ●	special size 2-280639.S ○
Thread Bushing - Acme trapezoidal thread 20 x 4 mm for system 28 screw clamp arbor - for 280610, 280612, 280625 - nitrided				2-280618.N ●
Cast Iron Cross - for 280612 - without handwheel				52 mm 2-280617.1 ●
Handwheel for Cast Iron Cross - for 280610, 280612, 280630, 280615, 280611, 220610.1, 220630.1, 220615.1				25 mm 2-280662.N ●

● = Item produced for stock; ○ = Item produced on order; Explanations see page 84



Professional Screw Clamp 45°/90°



Description:

The Professional Screw Clamp 45°/90° replaces conventional 45° or 90° screw clamps. This Screw Clamp sets new standards because of its infinitely variable rotatability from 0°-360°.

To fasten every kind of welding part with the clamps, the prisms are interchangeable. For suitable prisms see page 284. The dimensions of the flat bar in use are 30x14 mm.

A long lifetime and efficiency is guaranteed by the nitrided material, as well as the option to order spare parts individually.

With the new handwheel on the cast iron cross, the height can be adjusted quickly. Through the countersunk hexagonal Allen Wrench, located at the top of the handle, the force of the clamp can be adjusted precisely by a torque wrench. Additionally, the vertical bar is reinforced.



280630.N



280630.S

Standard model		maximum load:	Weight:	Item No.
Professional Screw Clamp 45°/90°		5 kN	2,30 kg	2-280630.N ●
Professional Screw Clamp 45°/90° special size				2-280630.S ○

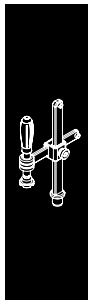
● = Item produced for stock; ○ = Item produced on order; Explanations see page 84

Standard model 280630:
consisting of 1x 280634.2.N, 1x 280633.N, 1x 289108, 1x 280617.2, 1x 280662.N, 1x 289109, 1x 280657.1.N

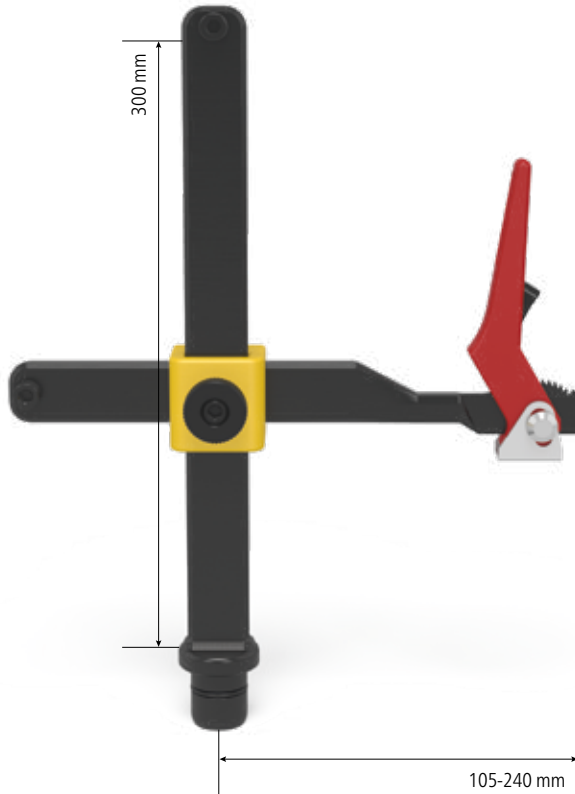


Spare parts, special sizes and parts for a individual configuration				
Threaded Arbor with handle - for 280610, 280612, 280630, 280604, 280625, 280608 - Trapezoid thread 20 x 4 mm	100 mm 2-280634.N ●	135 mm 2-280634.1.N ●	170 mm 2-280634.2.N ●	special size 2-280634.S ○
Threaded Arbor with hexagon - for 280610, 280612, 280630, 280604, 280625, 280608 - Trapezoid thread 20 x 4 mm	83 mm 2-280635.N ●	135 mm 2-280635.1.N ●	170 mm 2-280635.2.N ●	special size 2-280635.S ○
Threaded Arbor with toggle - for 280610, 280612, 280630, 280604, 280625, 280608 - Trapezoid thread 20 x 4 mm	100 mm 2-280636.N ●	135 mm 2-280636.1.N ●	170 mm 2-280636.2.N ●	special size 2-280636.S ○
Vertical Bar - for 280630 - Vertical Bar reinforced	310 mm 2-280633.N ●	500 mm 2-280633.1.N ●	800 mm 2-280633.2.N ●	special size 2-280633.S ○
Bushing for Threaded Arbor - for 280630				42 mm 2-289108 ●
Cast Iron Cross - for 280630, 220630.1 - without handwheel				70 mm 2-280617.2 ●
Handwheel for Cast Iron Cross - for 280610, 280612, 280630, 280615, 280611, 220610.1, 220630.1, 220615.1				25 mm 2-280662.N ●
Disc for Cast Iron Cross - for 280630, 220630.1 - with countersunk bolt M10x25				10 mm 2-289109 ●

● = Item produced for stock; ○ = Item produced on order; Explanations see page 84



Professional Fast Tension Clamp



Description:

The Professional Fast Tension Ratchet Clamp is used to clamp welding parts quickly and powerfully. The force can be set individually with the grating.

A long lifetime and efficiency is guaranteed by the material, as well as the possibility to order spare parts individually.

With the new handwheel on the cast iron cross, the height can be adjusted quickly.



280615

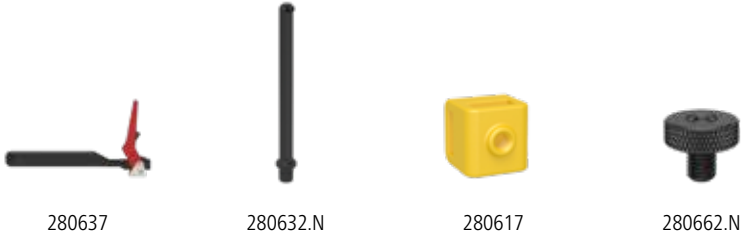


280615.S

Standard model	maximum load:	Weight:	Item No.
Professional Fast Tension Clamp	5 kN	2,00 kg	2-280615 ●
Professional Fast Tension Clamp special size			2-280615.S ○

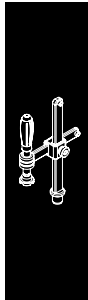
● = Item produced for stock; ○ = Item produced on order; Explanations see page 84

Standard model 280615:
consisting of 1x 280637, 1x 280632.N, 1x 280617, 1x 280662.N

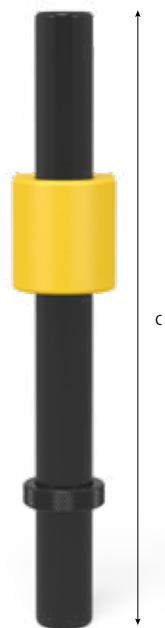


Spare parts, special sizes and parts for a individual configuration				
Horizontal Bar with Fast Clamping Function - for 280615, 220615.1	200 mm	350 mm	500 mm	special size
	2-280637 ●	2-280637.1 ●	2-280637.2 ●	2-280637.S ○
Vertical Bar - for 280610, 280612, 280611 - Vertical Bar reinforced	310 mm	500 mm	800 mm	special size
	2-280632.N ●	2-280632.1.N ●	2-280632.2.N ●	2-280632.S ○
Cast Iron Cross - for 280610, 280611, 280615, 220610.1, 220615.1 - without handwheel				45 mm 2-280617 ●
Handwheel for Cast Iron Cross - for 280610, 280612, 280630, 280615, 280611, 220610.1, 220630.1, 220615.1				25 mm 2-280662.N ●

● = Item produced for stock; ○ = Item produced on order; Explanations see page 84



Vertical Round Pipe + Cast Iron Cross



280617.4



280617.6



280642



280653

Vertical Pipe - standard = 300	300 mm ● 2-280642	500 mm ● 2-280642.1	800 mm ● 2-280642.2	special size ○ 2-280642.S
Adjusting Ring - for 280604, 280625, 280608				2-280653 ●
Cast Iron Cross - for 280638, 280642 - without handwheel				67 mm ● 2-280617.4
Cast Iron Cross - for 280631, 280642 - without handwheel				69 mm ● 2-280617.6

● = Item produced for stock; ○ = Item produced on order; Explanations see page 84

Exemplary variants



280642 + 280653 + 280617.4 + 280637



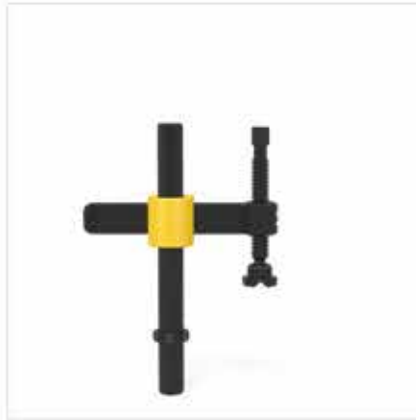
280632 + 280617.4 + 280678 + 280634.1 + 280657.1.N



280642 + 280653 + 280617.4 + 280631 + 280634 + 280657.1.N



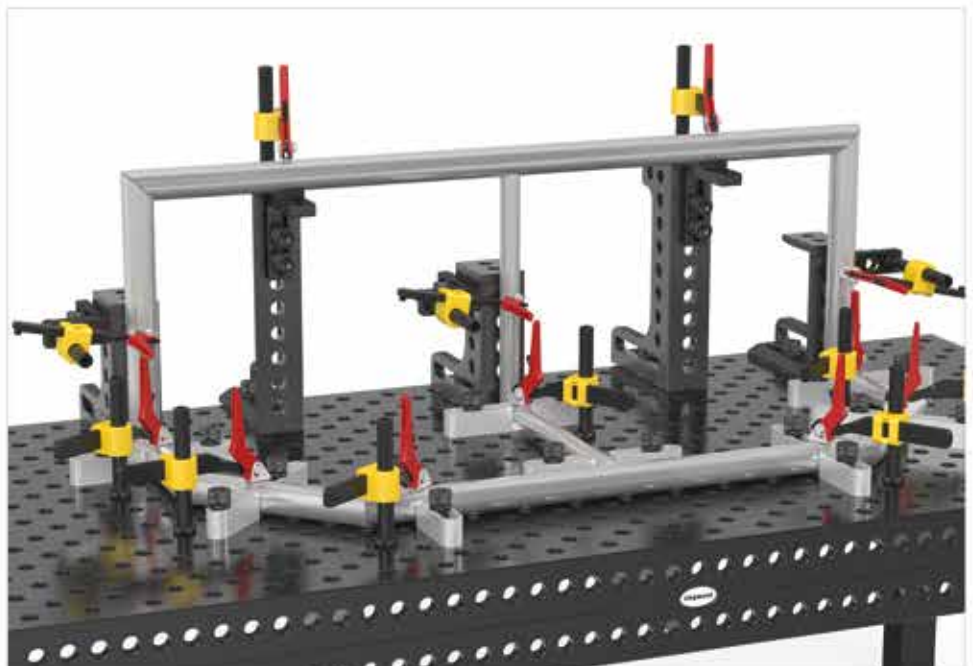
280639 + 280644 + 280617.6 + 280634 + 280657.1.N



280642 + 280653 + 280617.4 + 280631 + 280635.1 + 280657.1.N



280642 + 280653 + 280617.4 + 280631 + 280636 + 280660



Professional Screw Clamp with vertical action toggle

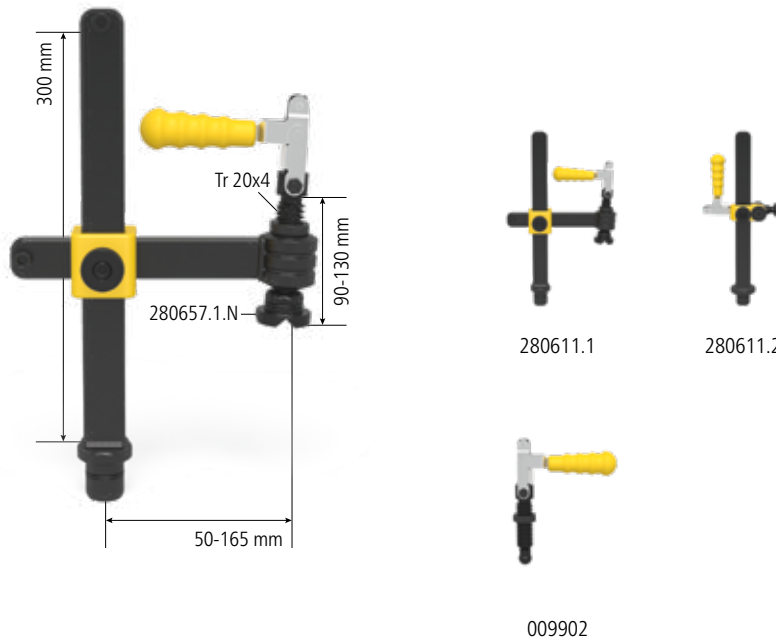
Description:

The Professional Screw Clamp with vertical clamp ensures quick and effortless clamping. Maximum clamping stability is achieved as a result of vertical clamping from above. The special feature of this screw clamp is the stronger clamping stroke in comparison to conventional fast tension clamps.

With the handwheel on the cast iron cross, the height can be adjusted quickly.

Vertical bar is hardened.

To fasten every kind of welding part, the prisms are interchangeable. For suitable prisms, see page 284.



	Width: (b)	Height: (c)	maximum load	Weight:	Item No.
Professional Screw Clamp with vertical action toggle	222 mm	310 mm	2,5 kN	3,30 kg	2-280611.1 ●
Professional Screw Clamp 45°/90° with vertical action toggle		310 mm	2,5 kN	2,20 kg	2-280611.2 ●
Vertical Toggle Clamp		85 mm		0,40 kg	2-009902 ●

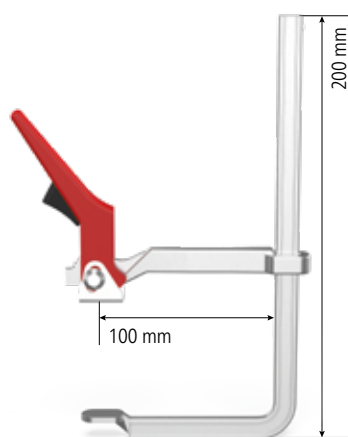
● = Item produced for stock; ○ = Item produced on order; Explanations see page 84

Fast Tension Clamp, Standard

Description:

Conventional Fast Tension Clamp, enables fast clamping due to its simple and precise mechanism.

The Clamp is available in various sizes.



280616



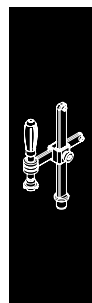
280616.1



280616.2



280616.3



	Length: (a)	Width: (b)	Weight:	Item No.
Fast Tension Clamp, Standard S20	200 mm	100 mm	1,10 kg	2-280616 ●
Fast Tension Clamp, Standard S25	250 mm	120 mm	1,50 kg	2-280616.1 ●
Fast Tension Clamp, Standard S30	300 mm	140 mm	2,30 kg	2-280616.2 ●
Fast Tension Clamp, Standard S40	400 mm	120 mm	2,50 kg	2-280616.3 ●

● = Item produced for stock; ○ = Item produced on order; Explanations see page 84

Basic Pipe Clamp Universal



Description:

Pipe Clamp Universal, with swiveling Arbor enables flexible clamping at a + / - 42 degree angle. This Pipe Clamp combines the advantages of conventional 45° or 90° clamps. It can be used at an angle as well as straight, resulting in additional clamping options and a more variable clamping range.

The horizontal round tube with a length of 200 mm is fully adjustable and creates, combined with the swiveling arbor, a variable clamping range. The length of the vertical pipe is 250 mm. To safely fasten different welding parts, the prisms are interchangeable.

For compatible prisms, see page 284. A long lifetime and efficiency is guaranteed by the burnished material, as well as the option to order replacement parts individually.

To integrate the vertical pipe into the system bore holes, an adjusting ring is used (Item No. 280653). As a standard feature, the Round Pipe Clamp Universal is equipped with a 135 mm threaded arbor.



280604



280604.S

Standard model	maximum load:	Weight:	Item No.
Pipe Clamp Universal	3 kN	2,30 kg	2-280604 ●
Pipe Clamp Universal special size			2-280604.S ○

● = Item produced for stock; ○ = Item produced on order; Explanations see page 84

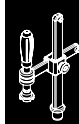
Standard model 280604:
consisting of 1x 280634.1.N, 1x 280678, 1x 280677, 1x 280679, 1x 280653, 1x 280657.1.N



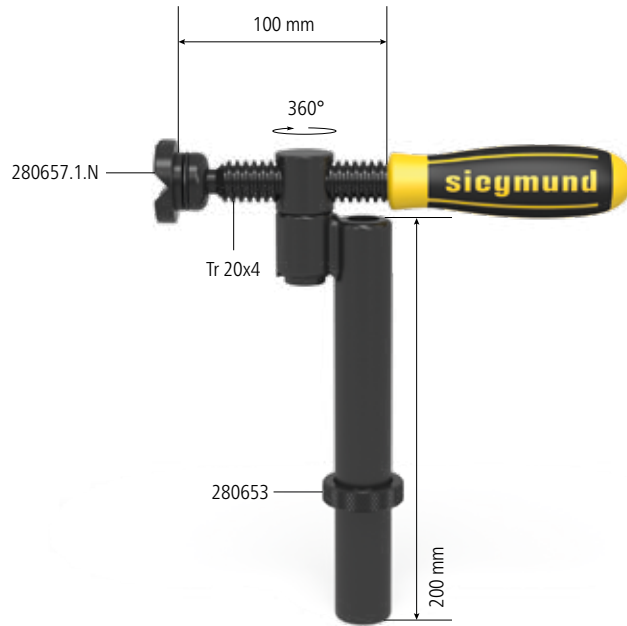
Spare parts, special sizes and parts for a individual configuration

Threaded Arbor with handle - for 280610, 280612, 280630, 280604, 280625, 280608 - Trapezoid thread 20 x 4 mm	100 mm	135 mm	170 mm	special size
	2-280634.N ●	2-280634.1.N ●	2-280634.2.N ●	2-280634.S ○
Threaded Arbor with hexagon - for 280610, 280612, 280630, 280604, 280625, 280608 - Trapezoid thread 20 x 4 mm	83 mm	135 mm	170 mm	special size
	2-280635.N ●	2-280635.1.N ●	2-280635.2.N ●	2-280635.S ○
Threaded Arbor with toggle - for 280610, 280612, 280630, 280604, 280625, 280608 - Trapezoid thread 20 x 4 mm	100 mm	135 mm	170 mm	special size
	2-280636.N ●	2-280636.1.N ●	2-280636.2.N ●	2-280636.S ○
Horizontal Round Pipe - for 280604			200 mm	special size
			2-280678 ●	2-280678.S ○
Vertical Round Pipe - for 280604, 280625 - can also be used as a horizontal brace.	250 mm	300 mm	500 mm	special size
	2-280677 ●	2-280677.1 ●	2-280677.2 ●	2-280677.3 ●
Arbor Thread - for 280604				42 mm ●
				2-280679 ●
Adjusting Ring - for 280604, 280625, 280608				2-280653 ●

● = Item produced for stock; ○ = Item produced on order; Explanations see page 84



Basic Pipe Clamp 90°



Description:

Round Pipe Clamp 90°, enables precise and powerful clamping of components at a 90° angle relative to the system bore holes. The clamp can be smoothly rotated by 360°, therefore allowing free positioning.

To safely fasten different welding elements, the prisms are interchangeable. For compatible prisms see page 284.

A long lifetime and efficiency is guaranteed by the burnished material, as well as the option to order replacement parts separately.

To integrate the vertical pipe into the system bore holes, an adjusting ring is used (Item No. 280653).



280608



280608.S

Standard model	maximum load:	Weight:	Item No.
Basic Pipe Clamp 90°	3 kN	1,40 kg	2-280608 ●
Basic Pipe Clamp 90° special size			2-280608.S ○

● = Item produced for stock; ○ = Item produced on order; Explanations see page 84

Standard model 280608:
consisting of 1x 280634.1.N, 1x 280676, 1x 280653, 1x 280657.1.N



280634.N



280635.N



280636.N



280676

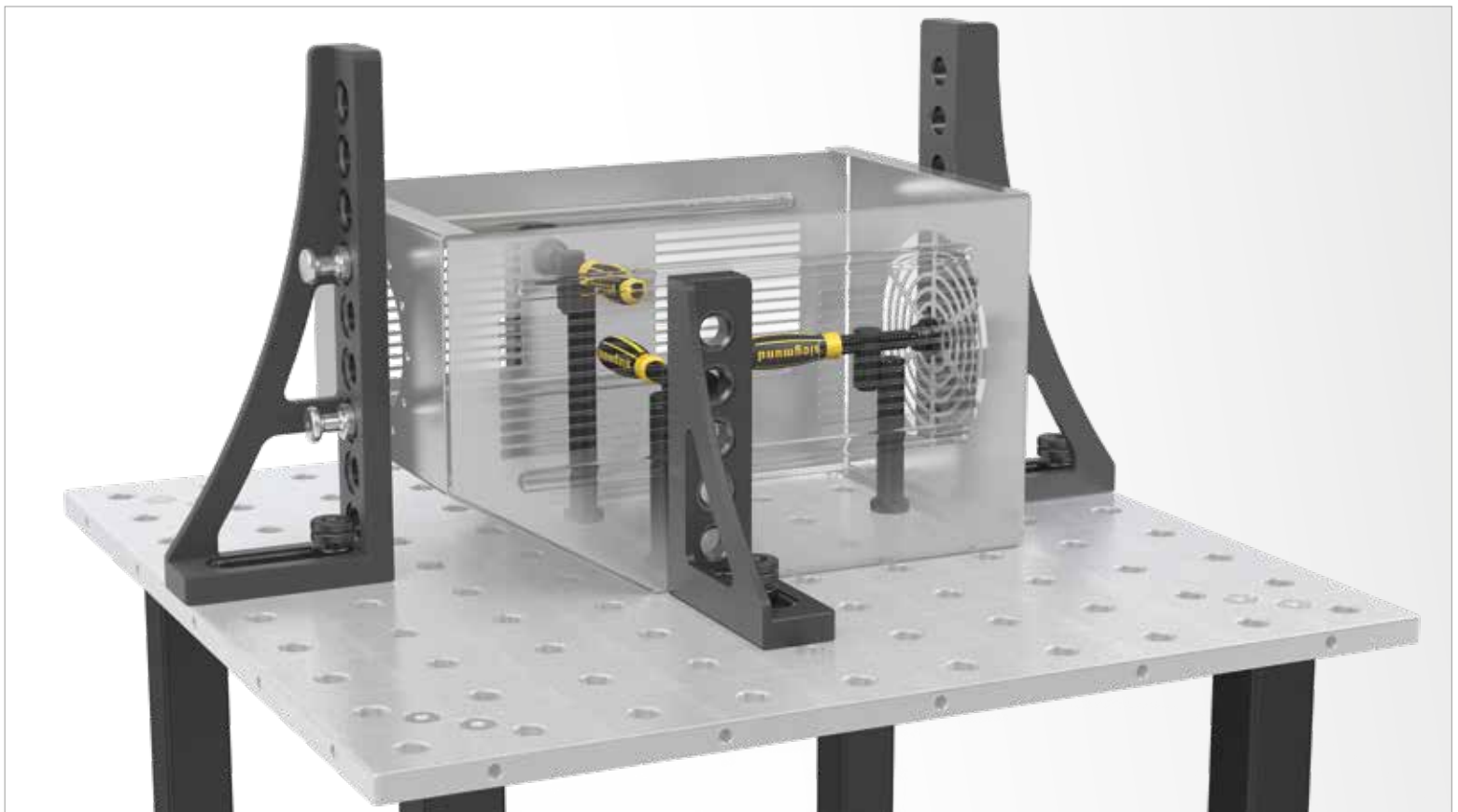


280653

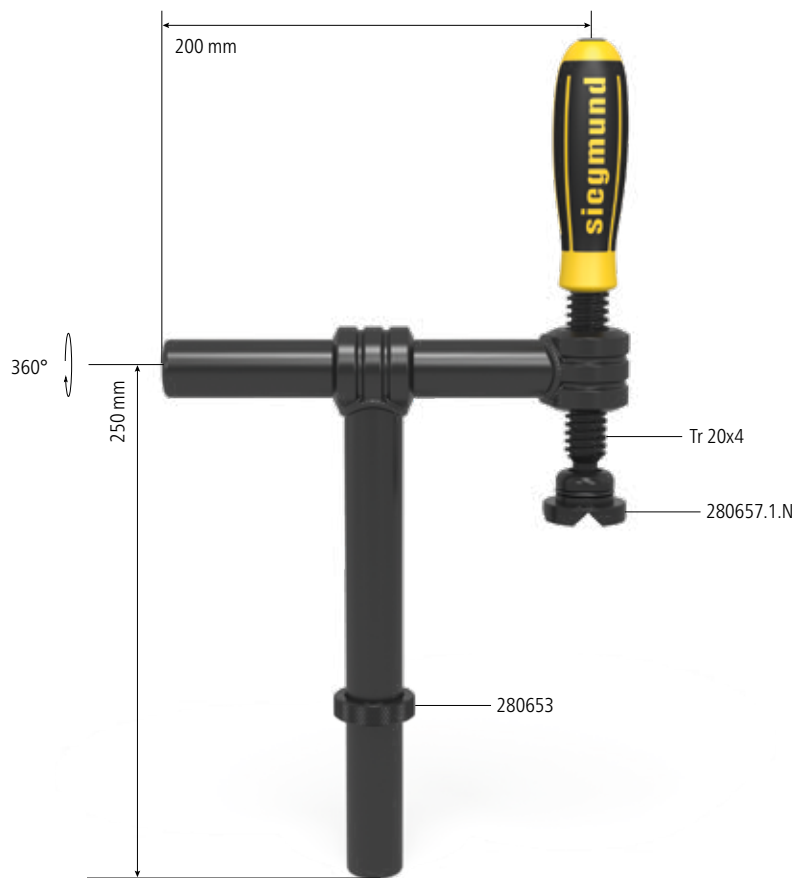
Spare parts, special sizes and parts for a individual configuration

Threaded Arbor with handle - for 280610, 280612, 280630, 280604, 280625, 280608 - Trapezoid thread 20 x 4 mm	100 mm 2-280634.N ●	135 mm 2-280634.1.N ●	170 mm 2-280634.2.N ●	special size 2-280634.S ○	
Threaded Arbor with hexagon - for 280610, 280612, 280630, 280604, 280625, 280608 - Trapezoid thread 20 x 4 mm	83 mm 2-280635.N ●	135 mm 2-280635.1.N ●	170 mm 2-280635.2.N ●	special size 2-280635.S ○	
Threaded Arbor with toggle - for 280610, 280612, 280630, 280604, 280625, 280608 - Trapezoid thread 20 x 4 mm	100 mm 2-280636.N ●	135 mm 2-280636.1.N ●	170 mm 2-280636.2.N ●	special size 2-280636.S ○	
Vertical Round Pipe - for 280608	200 mm 2-280676 ●	300 mm 2-280676.1 ●	500 mm 2-280676.2 ●	800 mm 2-280676.3 ●	special size 2-280676.S ○
Adjusting Ring - for 280604, 280625, 280608				2-280653 ●	

● = Item produced for stock; ○ = Item produced on order; Explanations see page 84



Basic Pipe Clamp 180°



Description:

Basic Pipe Clamp 180°, enables precise and powerful clamping of components at a 180° angle relative to the system bore holes. Due to the round pipe the clamp can be easily and quickly adjusted horizontally, within a range of 45-180 mm. The length of the vertical pipe is 250 mm.

To safely fasten different welding elements, the prisms are interchangeable. For compatible prisms see page 284.

A long lifetime and efficiency is guaranteed by the burnished material, as well as the option to order replacement parts individually.

To secure the vertical pipe in the system bore holes, an Adjusting Ring (Item No. 280653) is used. The length of the spindle is 100 mm.



280625



280625.S

Standard model	maximum load:	Weight:	Item No.
Basic Pipe Clamp 180°	3 kN	2,30 kg	2-280625 ●
Basic Pipe Clamp 180° special size			2-280625.S ○

● = Item produced for stock; ○ = Item produced on order; Explanations see page 84

Standard model 280625:
consisting of 1x 280634.N, 1x 280644, 1x 280677, 1x 280618.N, 1x 280653, 1x 280657.1.N



Spare parts, special sizes and parts for a individual configuration					
Threaded Arbor with handle - for 280610, 280612, 280630, 280604, 280625, 280608 - Trapezoid thread 20 x 4 mm	100 mm 2-280634.N	135 mm 2-280634.1.N	170 mm 2-280634.2.N	special size 2-280634.S	● ○
Threaded Arbor with hexagon - for 280610, 280612, 280630, 280604, 280625, 280608 - Trapezoid thread 20 x 4 mm	83 mm 2-280635.N	135 mm 2-280635.1.N	170 mm 2-280635.2.N	special size 2-280635.S	● ○
Threaded Arbor with toggle - for 280610, 280612, 280630, 280604, 280625, 280608 - Trapezoid thread 20 x 4 mm	100 mm 2-280636.N	135 mm 2-280636.1.N	170 mm 2-280636.2.N	special size 2-280636.S	● ○
Horizontal Round Pipe - for 280625			200 mm 2-280644	special size 2-280644.S	● ○
Vertical Round Pipe - for 280604, 280625 - can also be used as a horizontal brace.	250 mm 2-280677	300 mm 2-280677.1	500 mm 2-280677.2	800 mm 2-280677.3	special size 2-280677.S
Thread Bushing - Acme trapezoidal thread 20 x 4 mm for system 28 screw clamp arbor - for 280610, 280612, 280625 - nitrided				2-280618.N	●
Adjusting Ring - for 280604, 280625, 280608				2-280653	●

● = Item produced for stock; ○ = Item produced on order; Explanations see page 84



Adapter 45°

Description:

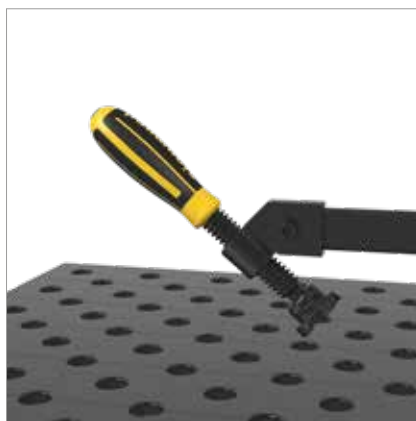
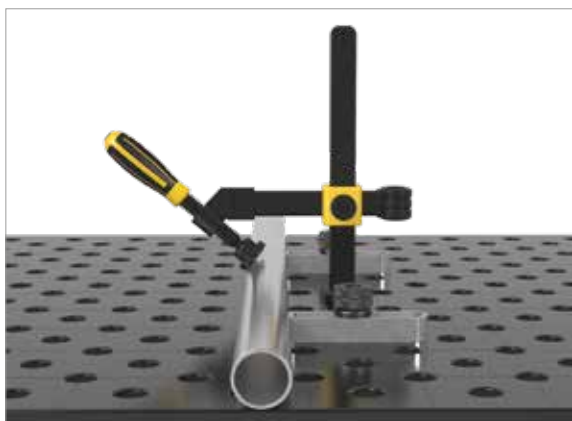
By simply screwing the Adapter 45° to the horizontal bar of a Screw Clamp Standard, it can be converted into a Screw Clamp 45°.



280663



280663.1



	Length: (a)	Width: (b)	Height: (c)	Weight:	Item No.
Adapter 45° - for Screw Clamp 280610 - burnished / nitrided	75 mm	30 mm	55 mm	0,18 kg	2-280663 ●
Adapter 45° - for Screw Clamp XL 280612 - burnished / nitrided	75 mm	30 mm	60 mm	0,18 kg	2-280663.1 ●

● = Item produced for stock; ○ = Item produced on order; Explanations see page 84

Thread Bushing

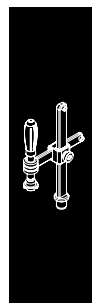
Description:

The burnished Threaded Bushing was especially designed for working in restricted spaces. The threaded bushing is the compatible counterpart which incorporates screw clamp arbors from the 16 mm system (Tr 12x3) or the 28 mm system (Tr 20x4). A combination of threaded bushing, screw clamp arbor and heavy squares, is ideal to perform complicated horizontal clamping tasks.



280618.N

280619



	Height: (c)	Ø: (o)	Weight:	Item No.
Thread Bushing - Acme trapezoidal thread 20 x 4 mm for system 28 screw clamp arbor - for 280610, 280612, 280625 - nitrided	22 mm	28 mm	0,05 kg	2-280618.N ●
Thread Bushing Tr 12x3 - Acme trapezoidal thread 12 x 3 mm for system 16 screw clamp arbor - burnished / nitrided	23 mm	28 mm	0,07 kg	2-280619 ●

● = Item produced for stock; ○ = Item produced on order; Explanations see page 84

Prism for Screw Clamps

Description:

Prism for Screw Clamps, suitable for clamping of round and square pipes. Due to its location at the ball head of the threaded arbor, the prism is movable and can therefore be fixed precisely on the workpiece. It is replaced by simply taking it off the ball head.

The Prism is available in various material finishes.

The Polyamid Prism is used for scratch-prone surfaces.

The Stainless Steel Prism is used for scratch-resistant precious metals (rust prevention).



280657.1.N



280658.E







280659.PA



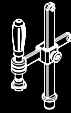
280661





		Height: (c)	Ø: (o)	Weight:	Item No.
Prism for Screw Clamps - nitrided - for Arbor with Trapezoid thread 20 x 4 mm	  	24 mm	40 mm	0,09 kg	2-280657.1.N ●
Prism for Screw Clamps - Stainless Steel - for Arbor with Trapezoid thread 20 x 4 mm		21 mm	40 mm	0,10 kg	2-280658.E ●
Prism for Screw Clamps - Polyamide - for Arbor with Trapezoid thread 20 x 4 mm		24 mm	40 mm	0,01 kg	2-280659.PA ●
Pressure Ball Blank for Screw Clamps - Polished - for Arbor with Trapezoid thread 20 x 4 mm - according to customer specifications		30 mm	40 mm	0,19 kg	2-280661 ●

● = Item produced for stock; ○ = Item produced on order; Explanations see page 84



Duo Prism Ø 40 for Screw Clamps

Description:

Duo Prism, compatible with all bore holes and screw clamps of System 28, due to its dual function. The O-ring provides perfect fixing and fitting accuracy. The 120° square creates a stable support surface for all round pipes. The leveled corners of the prism enable working with flat welding parts.

The Polyamid Prism is used for scratch-prone surfaces.

The prism polyamide is only suitable for use as a prism for screw clamps.



280650



280650.A



280650.PA



	Height: (c)	Ø: (o)	Weight:	Item No.
Duo Prism Ø 40 - burnished / nitrided - for Arbor with Trapezoid thread 20 x 4 mm	35 mm	40 mm	0,15 kg	2-280650 ●
Duo Prism Ø 40 - Aluminum - for Arbor with Trapezoid thread 20 x 4 mm	ALU 35 mm	40 mm	0,05 kg	2-280650.A ●
Duo Prism Ø 40 - Polyamide - for Arbor with Trapezoid thread 20 x 4 mm - without O-Ring	PA 35 mm	40 mm	0,02 kg	2-280650.PA ●

● = Item produced for stock; ○ = Item produced on order; Explanations see page 84

Pressure Ball for Screw Clamps

Description:

Pressure Ball for Screw Clamps, especially designed for clamping in corners or grooves. Due to its location at the ball head of the threaded arbor, the prism is movable, and can therefore be precisely mounted to the work piece.

It can be replaced by simply removing it from the ball head.

The Pressure Ball is available in various materials.

The polyamide Pressure Ball is used for scratch-prone surfaces.

The stainless steel Pressure Ball is used for scratch-resistant metals (rust prevention).

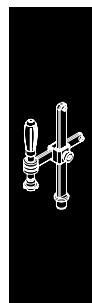
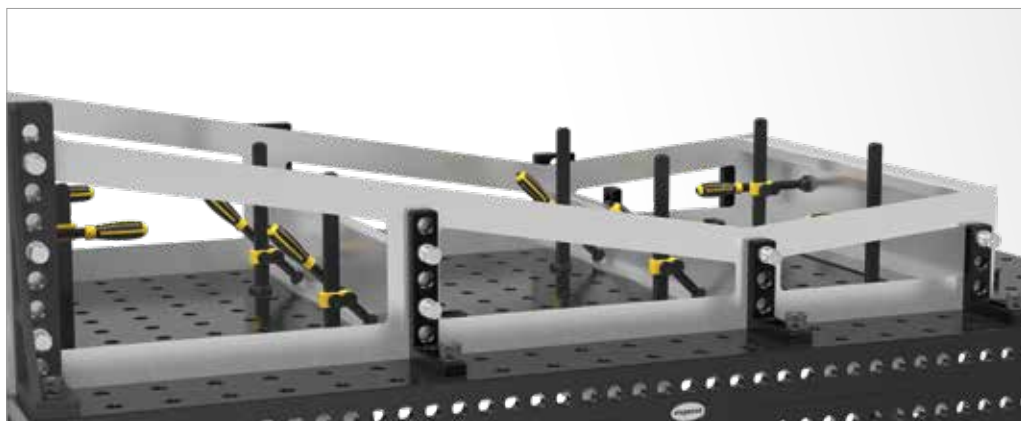


280660

280660.E



280660.PA



	Height: (c)	Ø: (o)	Weight:	Item No.
Pressure Ball for Screw Clamps - burnished / nitrided - for Arbor with Trapezoid thread 20 x 4 mm	20 mm	35 mm	0,07 kg	2-280660 ●
Pressure Ball for Screw Clamps - Stainless Steel - for Arbor with Trapezoid thread 20 x 4 mm	20 mm	35 mm	0,07 kg	2-280660.E ●
Pressure Ball for Screw Clamps - Polyamide - for Arbor with Trapezoid thread 20 x 4 mm	PA 20 mm	35 mm	0,01 kg	2-280660.PA ●

● = Item produced for stock; ○ = Item produced on order; Explanations see page 84

Angle Bushing / Angle Socket

Description:

Angle Bushing / -Sleeve, can be flexibly used in conjunction with a Clamping Pipe (Item No. 280750 + 280642).

By using a Threaded Bushing (Item No. 280618), the Angle Bushing / -Sleeve can be used in combination with a threaded arbor.

Axial distance arbor 40 mm.



280770



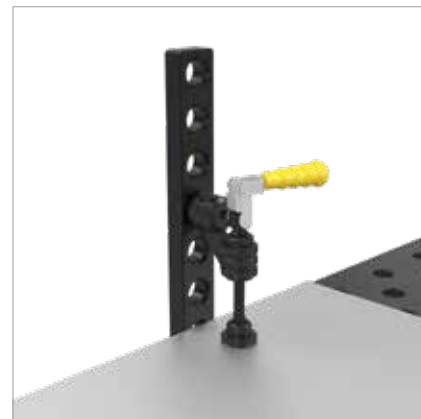
280771



280772



280773



	Length: (a)	Width: (b)	Height: (c)	Weight:	Item No.
Angle Bushing 45° - for clamping pipe 280750, 280642	80 mm	40 mm	40 mm	0,32 kg	2-280770 ●
Angle Bushing 90° - for clamping pipe 280750, 280642	80 mm	40 mm	40 mm	0,32 kg	2-280771 ●
Angle Socket 45° - for clamping pipe 280750, 280642	100 mm	67 mm	40 mm	0,32 kg	2-280772 ●
Angle Socket 90° - for clamping pipe 280750, 280642	85 mm	85 mm	40 mm	0,39 kg	2-280773 ●

● = Item produced for stock; ○ = Item produced on order; Explanations see page 84

Clamping Bridge 2P / Clamping Bridge 3P

Description:

The Clamping Bridge 2P is perfect to work in positions which are difficult to access or to clamp various components simultaneously. Clamping on uneven surfaces is also possible with pendulum compensation. High functionality is guaranteed with quick shifting of the spherical pin. A clamping bridge, two ball pins and two prisms are included in the delivery.

The Clamping Bridge 3P is perfect to work in positions which are difficult to access, or to clamp various components simultaneously. Clamping on uneven surfaces is also possible with pendulum compensation. The uniqueness of the Clamping Bridge 3P is a result of the three-dimensionality, which makes clamping in three dimensions possible. High functionality is guaranteed with quick shifting of the spherical pin. A clamping bridge, three ball pins and three prisms are included with delivery.

In order to safely attach any kind of welding elements with the Clamps Bridge, the prism is interchangeable. Compatible prisms see page 284.



280210



280211



280212



	Length: (a)	Width: (b)	Height: (c)	Ø: (o)	Weight:	Item No.
Clamping Bridge 2P for Screw Clamps - 2 clamping spots simultaneously	170 mm	35 mm	20 mm		0,80 kg	2-280210 ●
Clamping Bridge 3P for Screw Clamps - 3 clamping points simultaneously	170 mm	35 mm	20 mm		1,00 kg	2-280211 ●
Spherical Pin for Clamping Bridge				16 mm	0,04 kg	2-280212 ●

● = Item produced for stock; ○ = Item produced on order; Explanations see page 84

